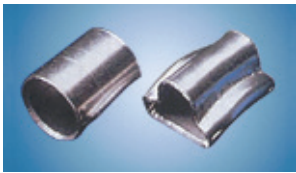




2026 HOSE CLAMP CATALOG



- ✓ HIGHEST CLAMPING FORCE RATINGS FOR WORM GEAR STYLE CLAMPS
- ✓ NON PERFORATED BAND WITH ROLLED BAND EDGES
- ✓ 100% AISI 316 STAINLESS STEEL ACID AND CORROSION RESISTANT
- ✓ LIFE-TIME WARRANTY



All Pressed Worm Gear Housing

The all pressed worm housing increases the strength of the hose clamp by 30%. Since the radius of each housing is carefully adapted to the relevant hose diameter and due to the smooth transition between housing and band, extremely good compatibility with the shape of the hose is achieved.



Intact Grain Structure

The intact grain structure increases the strength reserve of the clamp and enables you to use an ABA clamp up to ten times. This picture, magnified 10 times, clearly shows how the material in the band is compressed at each ridge of thread without the fibers of the steel being sheared off.



Rolled-Up Band Edges

The rolled-up band edges of the ABA hose clamp prevents it from cutting into the hose and forming such a smooth transition between the edge of the band and the hose that crack formation and fractural impressions are avoided. Consequently even inexpensive hoses last longer. The threads are specially stamped and leave the inside of the clamp completely smooth. The smooth inside of the band eliminates friction between the hose and the band, thus the clamp will seal 360° around.



Thread Engagement

Thread engagement gives strength and reliability. The square threads of the screw are rolled and those on the band stamped by a special process. The 6° thread pitch angle not only gives you a completely vibration-proof clamp but also a clamp which grips the hose more firmly all the way around without calling for more force on the screwdriver.



Parts Inspection

During the manufacturing process, the ABA hose clamp passes through nine series of inspections covering material, tolerances and properties. To give one example, the clamp is test-loaded to predetermined tightening torque. The off-load torque, which should not exceed 1 Nm, is checked on every 50th clamp.

ABA Mini (W4) 304 Stainless Steel

A nut-and-bolt hose clamp with rolled edges that is ideally suited for small, thin-walled hydraulic and fuel hose.



Strong and Durable Materials

The lug for the screw and nut must be stable enough to resist deformation whenever the nut is tightened. This is why they are made of cold rolled strip stainless steel to Swedish Standard SS 1265.

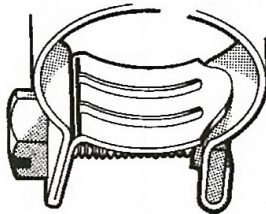
7mm Hex-head screw



9mm Band Width

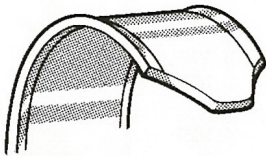
The Nut Stays Put

The nut is retained in the lug, even when the screw has been removed. Another practical detail is the hexagonal screw head, which may be tightened using the ABA flexible socket driver.



Reinforced Band Tongue

The band tongue is designed with a formed section to prevent it from being deformed and causing leakage.



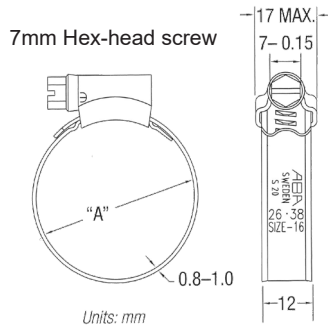
Small Size But Big Demands

This was the concept when designing the ABA Mini Clamp. As a result, the Mini features several well-known ABA characteristics including the rounded edges that ensure the clamp grips the hose firmly but gently.

Packaging		Size mm	Clamping Range		Band Width
Bag of 50	Box of 10		Inches	mm	mm
22008	13508	8	19/64 - 21/64	7.5 - 8.5	9
22009	13509	9	21/64 - 3/8	8.5 - 9.5	
22010	13510	10	3/8 - 7/16	9.5 - 11	
22011	13511	11	13/32 - 15/32	10.5 - 12	
22012	13512	12	29/64 - 33/64	11.5 - 13	
22013	13513	13	1/2 - 35/64	12.5 - 14	
22014	13514	14	17/32 - 19/32	13.5 - 15	
22015	13515	15	37/64 - 5/8	14.5 - 16	
22016	13516	16	19/32 - 43/64	15 - 17	
22017	13517	17	5/8 - 45/64	16 - 18	

ABA Original (W5) 316 Stainless Steel

Clamp with a one-piece housing and embossed worm-drive band with rolled edges. This industry leader out performs and outlasts the competition!



Packaging		SAE Size	Clamping Range		Band Width	Tightening Torque
Bag of 50	Box of 10		Inches	mm	mm	Inch - Lbs.
13014	13614	3	5/16 - 9/16	8 - 14	9	20 - 35
13017	13617	4	7/16 - 11/16	11 - 17		
13020	13620	6	1/2 - 13/16	13 - 20		
13024	13624	8	5/8 - 1	15 - 24	12	35 - 45
13028	13628	10	3/4 - 1 1/8	19 - 28		
13032	13632	12	7/8 - 1 1/4	22 - 32		
13038	13638	16	1 1/16 - 1 1/2	26 - 38		
13044	13644	20	1 1/4 - 1 3/4	32 - 44		
13050	13650	24	1 1/2 - 2	38 - 50		
66057	13657	28	1 1/4 - 2 1/4	32 - 57		
66064	13664	32	1 1/2 - 2 1/2	38 - 64		
66070	13670	36	1 3/4 - 2 3/4	44 - 70		
66076	13676	40	2 - 3	51 - 76		
66083	13683	44	2 1/4 - 3 1/4	57 - 83	45 - 60	
66089	13689	48	2 1/2 - 3 1/2	64 - 89		
66095	13694	52	2 3/4 - 3 3/4	70 - 95		
66102	13696	56	3 - 4	76 - 102		
66108	13697	60	3 1/4 - 4 1/4	83 - 108		
66114	13698	64	3 1/2 - 4 1/2	89 - 114		
66127	13699	72	3 1/2 - 5	89 - 127		
EACH	Bag of 10					
66140	66140P	80	4 - 5 1/2	102 - 140		
66152	66152P	88	4 1/2 - 6	114 - 152		
66165	66165P	96	5 - 6 1/2	127 - 165		
66178	66178P	104	5 1/2 - 7	140 - 178		
66191	n/a	112	6 - 7 1/2	152 - 191		
66203	n/a	122	6 1/2 - 8	165 - 203		
66216	n/a	128	7 - 8 1/2	178 - 216		
66232	n/a	138	7 5/8 - 9 1/8	194 - 232		
66257	n/a	154	8 5/8 - 10 1/8	219 - 257		
66283	n/a	170	9 5/8 - 11 1/8	244 - 283		
66308	n/a	186	10 5/8 - 12 1/8	270 - 308		

BREEZE (W5) 316 STAINLESS STEEL CLAMPS

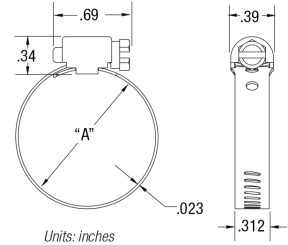
Breeze Mini, 316 Stainless Steel

A lightweight, streamlined hose clamp generally used in small diameter applications such as air and fuel lines. 5/16" band with engineered perforations, three-piece construction, SAE standard J1508 type M, 1/4" hex screw, 5/16" band and one-piece housing all in **316 stainless steel**.

Made in the USA!



Packaging	SAE	Clamping Range		Band Width
		Inches	mm	
Box of 10				
50010	4	7/32 - 5/8	6 - 16	5/16
50011	6	7/16 - 25/32	11 - 20	
50012	8	1/2 - 29/32	13 - 23	
50013	10	9/16 - 1-1/16	14 - 27	
50014	16	15/16 - 1-1/2	24 - 38	
50015	20	1-3/16 - 1-3/4	30 - 44	
50016	24	1-7/16 - 2	37 - 51	
50017	28	1-11/16 - 2-1/4	43 - 57	



Band Width: 5/16"
Hex Screw: 1/4"

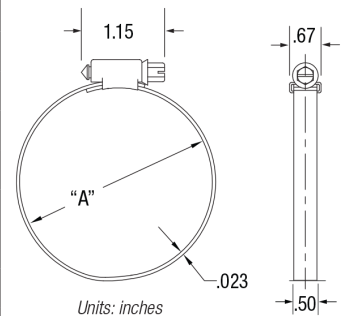
Breeze Power-Seal®, 316 Stainless Steel

A general purpose marine quality worm-drive hose clamp with engineered perforations for added strength. 1/2" band with engineered perforations, quadra-lock construction, SAE standard J1508 type F, 5/16" hex screw, 1/2" band and two-piece housing all in **316 stainless steel**.

Made in the USA!



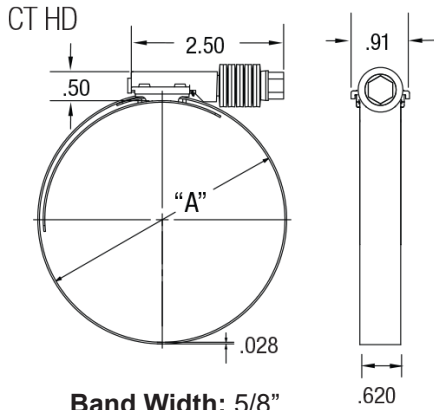
Packaging	SAE	Clamping Range		Band Width
		Inches	mm	
Box of 10				
50030	6	7/16 - 25/32	11 - 20	1/2
50031	8	1/2 - 29/32	13 - 23	
50032	10	9/16 - 1-1/16	14 - 27	
50033	12	11/16 - 1-1/4	17 - 32	
50034	16	13/16 - 1-1/2	21 - 38	
50035	20	13/16 - 1-3/4	21 - 44	
50036	24	1-1/16 - 2	27 - 51	
50037	28	1-5/16 - 2-1/4	33 - 57	
50038	32	1-9/16 - 2-1/2	40 - 64	
50039	36	1-13/16 - 2-3/4	46 - 70	
50040	40	2-1/16 - 3	52 - 76	
50041	44	2-5/16 - 3-1/4	59 - 83	
50042	48	2-9/16 - 3-1/2	65 - 89	
50043	52	2-13/16 - 3-3/4	71 - 95	
50044	56	3-1/16 - 4	78 - 102	
50045	60	3-5/16 - 4-1/4	84 - 108	
50048	72	1-7/8 - 5	48 - 127	
50049	80	2-1/2 - 5-1/2	64 - 140	



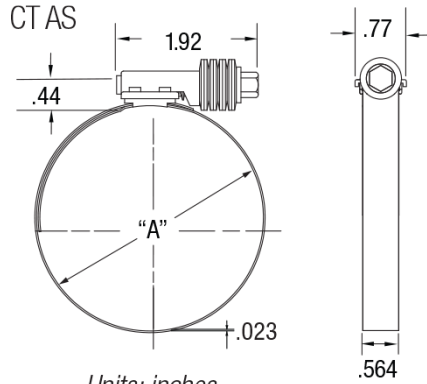
Band Width: 1/2"
Hex Screw: 5/16"



BREEZE CONSTANT-TORQUE® CLAMPS



Band Width: 5/8"
Hex Screw: 3/8"



Units: inches

Band Width: 9/16"
Hex Screw: 5/16"

**CT HD
(5/8" Band)**



**CT AS
(9/16" Band)**



Breeze 304 Stainless Steel Constant-Torque® Clamps

A worm drive hose clamp that automatically increases or decreases diameter due to changes in temperature. Extended inner liner, constant-tension performance, SAE standard J1508 type SLF & SLHD, 410 stainless steel hex screw, 304 stainless steel band and housing, 301 stainless steel Belleville washers. Made in the USA!

Model #	Each	Packaging	SAE	Clamping Range		Band Width
	Part#	Box of 10		Inches	mm	Inches
CT AS	51200	50200	10	9/16 - 1-1/16	14 - 27	9/16
	51201	50201	16	13/16 - 1-1/2	21 - 38	
	51202	50202	24	1-1/16 - 2	27 - 51	
CT HD 200	51203	50203	212	1-1/4 - 2-1/8	32 - 54	5/8
CT HD 250	51204	50204	262	1-3/4 - 2-5/8	45 - 67	
CT HD 300	51205	50205	312	2-1/4 - 3-1/8	57 - 79	
CT HD 350	51206	50206	362	2-3/4 - 3-5/8	70 - 92	
CT HD 400	51207	50207	412	3-1/4 - 4-1/8	83 - 105	
CT HD 450	51208	50208	462	3-3/4 - 4-5/8	95 - 118	
CT HD 500	51209	50209	512	4-1/4 - 5-1/8	108 - 130	
CT HD 550	51210	50210	562	4-3/4 - 5-5/8	121 - 143	
CT HD 600	51211	50211	612	5-1/4 - 6-1/8	133 - 156	
CT HD 650	51212	50212	662	5-3/4 - 6-5/8	146 - 168	
CT HD 700	51213	50213	712	6-1/4 - 7-1/8	159 - 181	
CT HD 750	51214	50214	762	6-3/4 - 7-5/8	172 - 194	
CT HD 800	51215	50215	812	7-1/4 - 8-1/8	184 - 206	
CT HD 850	51216	50216	862	7-3/4 - 8-5/8	197 - 219	
CT HD 900	51217	50217	912	8-1/4 - 9-1/8	210 - 232	
CT HD 1100	51219	50219	1112	10-1/4" - 11-1/8"	260 - 283	

ABA Rubber Lined (W4) 304 Stainless Steel



Vibration Dampening Support

To properly guard sensitive items from damage due to vibration use ABA Rubber Lined Clamps. Ideal for pipes, cables, groups of cables, hoses, etc. The clamp is made of 304 stainless steel with a rubber liner that also protects the band edges. Impacts and vibrations are dampened by the rubber which also eliminates wear and tear.

Applications

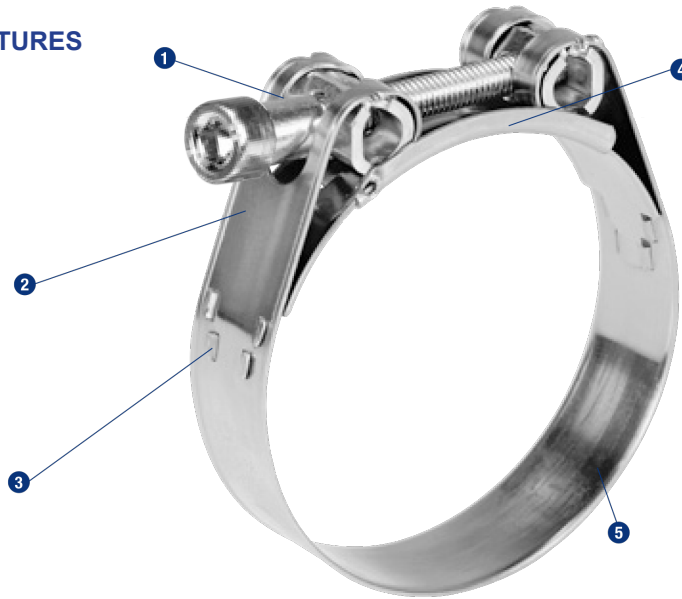
ABA rubber lined clamps are used in the automotive and marine industries, mechanical and apparatus construction, electrical, hydraulic and pneumatic engineering, process industries, shipbuilding, refrigeration and freezing plants, etc.

Packaging		Clamping Range		Band Width
Bag of 50	Box of 10	Inches	mm	mm
32301	13301	3/16	5	12
32302	13302	1/4	6	
32303	13303	5/16	8	
32304	13304	3/8	10	
32305	13305	7/16	11	
32306	13306	1/2	13	
32307	13307	9/16	14	
32308	13308	5/8	16	
32310	13310	3/4	19	
32312	13312	7/8	22	
32314	13314	1	25	
32316	13316	1 1/8	29	
32318	13318	1 1/4	32	
32320	13320	1 3/8	35	
32322	13322	1 1/2	38	
32323	13323	1 3/4	45	

Heavy-Duty GBS (W5) 316 Stainless Steel

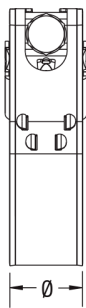
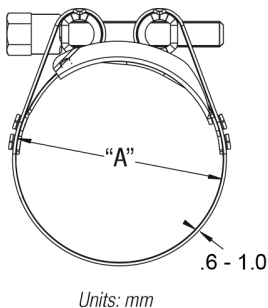
Heavy Duty low profile bolt clamps. Particularly suited for sealing exhaust, pressure or suction lines with plastic or steel inserts and high shore hardness values. Their distinguishing feature is the extremely high band tensile force. Assembly is easily completed by means of either manual, pneumatic or electric standard tools.

TECHNICAL FEATURES



NORMA

1. New specially designed 6mm hexagonal socket screw with integrated spacer = improved efficiency.
2. Reinforced loops = allow to withstand significantly higher torques.
3. Mechanically locked closure = no welding points, no contact corrosion.
4. Bridge = optimal hose protection.
5. Robust band with rounded edges = protection against injuries and damage to the hose surface.



- Band, Screw & Housing: High Grade Stainless Steel throughout (1.4401/AISI 316)
- Hollow Trunnions
- Diameter Range: 1 1/16" - 12" (17mm - 304mm)
- Available in 4 Band Widths: 18mm - thickness 0.6mm, 20mm - thickness 0.8mm, 25mm - thickness 1.0mm and 30mm - thickness 1.0mm
- Recommended tightening torque: 18mm band = 8 Nm, 20mm band = 10 Nm, 25mm band = 20 Nm, 30mm band = 25 Nm
- Fracture torque: 18mm band = 15 Nm, 20mm band = 20 Nm, 25mm band = 30 Nm, 30mm band = 45 Nm.

Heavy-Duty GBS (W5) 316 Stainless Steel

EACH	Packaging	Clamping Range		Band Width	
Part #	Box of 10	Inches	mm	Inches	mm
67000	67100	11/16 - 3/4	17 - 19	11/16	18
67001	67101	3/4 - 13/16	19 - 21		
67002	67102	13/16 - 7/8	21 - 23		
67003	67103	7/8 - 1	23 - 25		
67004	67104	1 - 1 1/16	25 - 27		
67005	67105	1 1/16 - 1 1/8	27 - 29		
67006	67106	1 1/8 - 1 1/4	29 - 31		
67007	67107	1 1/4 - 1 5/16	31 - 34		
67008	67108	1 5/16 - 1 7/16	34 - 37		
67009	67109	1 7/16 - 1 9/16	37 - 40		
67010	67110	1 9/16 - 1 11/16	40 - 43		
67011	67111	1 11/16 - 1 7/8	43 - 47		
67012	67112	1 7/8 - 2	47 - 51		
67013	67113	2 - 2 3/16	51 - 55		
67014	67114	2 3/16 - 2 5/16	55 - 59		
67015	67115	2 5/16 - 2 1/2	59 - 63		
67016	67116	2 1/2 - 2 11/16	63 - 68		
67017	67117	2 11/16 - 2 7/8	68 - 73	1	25
67018	67118	2 7/8 - 3 1/8	73 - 79		
67019	67119	3 1/8 - 3 3/8	79 - 85		
67020	67120	3 3/8 - 3 9/16	85 - 91		
67021	67121	3 9/16 - 3 13/16	91 - 97		
67022	67122	3 13/16 - 4 1/8	97 - 104		
67023	67123	4 1/8 - 4 7/16	104 - 112		
67024	67124	4 7/16 - 4 3/4	112 - 121		
67025	67125	4 3/4 - 5 1/8	121 - 130		
67026	67126	5 1/8 - 5 1/2	130 - 140		
67027	67127	5 1/2 - 5 7/8	140 - 150		
67038	67138	5 7/8 - 6 3/8	150 - 162	1 3/16	30
67028	67128	6 3/8 - 6 7/8	162 - 174		
67029	67129	6 7/8 - 7 3/8	174 - 187		
67030	67130	7 3/8 - 7 7/8	187 - 200		
67031	67131	7 7/8 - 8 3/8	200 - 213		
67032	67132	8 3/8 - 8 7/8	213 - 226		
67033	67133	8 7/8 - 9 3/8	226 - 239		
67034	67134	9 3/8 - 9 15/16	239 - 252		
67035	67135	9 15/16 - 10 7/16	252 - 265		
67036	67136	10 7/16 - 11	265 - 278		
67037	67137	11 1/2 - 12	291 - 304		

ABA and Breeze Clamp Assortments / Accessories



ABA Cruiser Pack

Contains 56 assorted ABA
316 Stainless Steel clamps and 1
 #60002 Flexible nut driver
Dimensions: 14" L x 9" W x 2" D
Shipping Weight: 5 Lbs.
#31606 Plastic Case with **316 Original Stainless Steel**
 Clamps

Breeze Cruiser Pack

Contains 50 assorted Breeze **316 Stainless Steel**
 clamps and tail sleeves.
Dimensions: 14" L x 9" W x 2" D
Shipping Weight: 5 Lbs.
#50105 Plastic Case with **316 Stainless Steel**
 Clamps

Clamp #	Quantity	SAE Size
13017	10	4
13020	10	6
13028	10	10
13038	10	16
13050	8	24
66064	8	32

Clamp #	Quantity	SAE Size
50010	10	4
50012	10	8
50032	10	10
50035	10	20
50038	10	32

Flexible 7mm Socket Drivers



#60002 10" Length
#60003 24" Length

Blue Clamp Tail Sleeves



#31601P 5/16" 25 Pack **#31611P** 1/2" 25 Pack
#31602P 5/16" 100 Pack **#31612P** 1/2" 100 Pack

ABA and Breeze Display Racks



Counter Top Display Rack

Contains 90 assorted ABA 316 Original stainless steel hose clamps.

Dimensions: 23 1/4"W x 12 1/2"H x 7"D

Shipping Weight: 9 Lbs.

#31604 Rack with 316 Stainless Steel Clamps

#24401 Display Rack Only

Breeze Counter Top Display Rack

Contains 90 assorted Breeze **316 Stainless Steel** hose clamps.

Dimensions: 23 1/4"W x 12 1/2"H x 7"D

Shipping Weight: 9 Lbs.

#50100 Rack with 316 Stainless Steel Clamps

#24402 Display Rack Only

Clamp #	Quantity	Range mm	SAE Size
13017	10	11 - 17	4
13020	10	13 - 20	6
13028	10	19 - 28	10
13032	10	22 - 32	12
13044	10	32 - 44	20
13050	10	38 - 50	24
66057	10	32 - 57	28
66064	10	38 - 65	32
66070	10	44 - 70	32

Clamp #	Quantity	Range mm	SAE Size
50010	10	6 - 16	4
50011	10	11 - 20	6
50032	10	14 - 27	10
50033	10	17 - 32	12
50035	10	21 - 44	20
50036	10	27 - 51	24
50037	10	33 - 57	28
50038	10	40 - 64	32
50039	10	46 - 70	36



**Scandvik, Inc.
423 4th Place SW
Vero Beach, FL 32962**

**1-800-535-6009
www.scandvik.com**